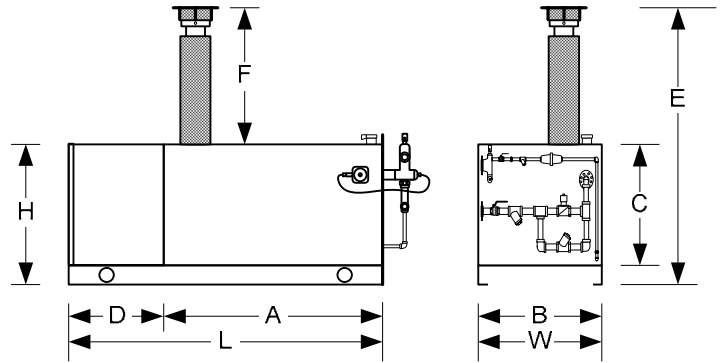
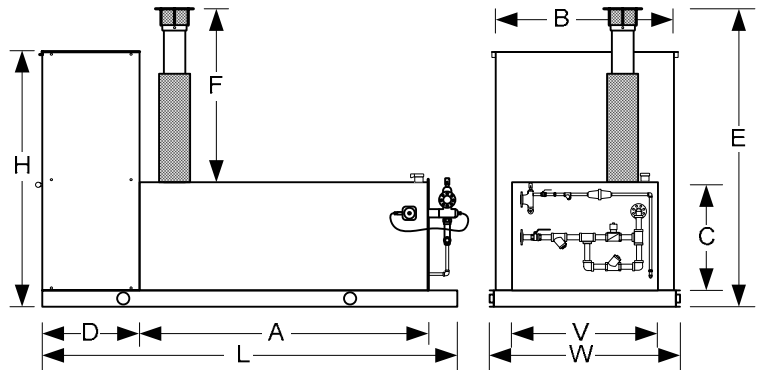


# Drawings

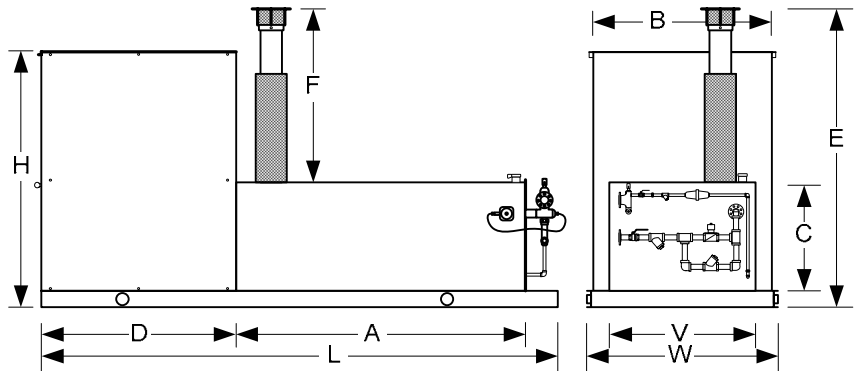
Low-Profile Design:  
Standard on WB-200 to WB-350,  
optional for WB-450 to WB-850.



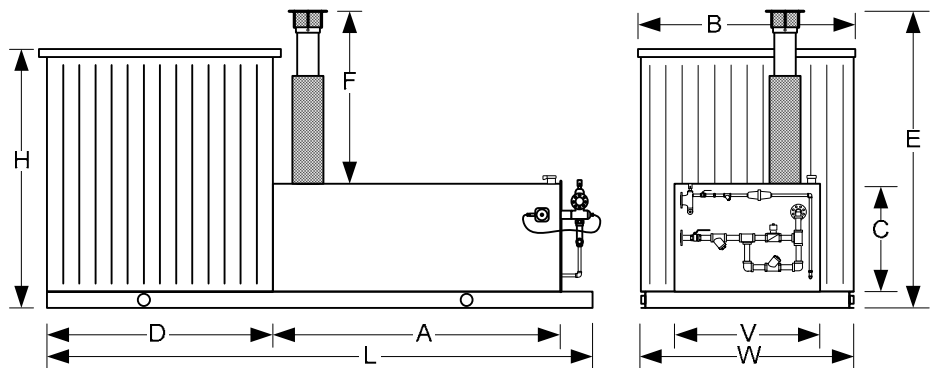
Full-Size Control Room:  
Standard on WB-450 to WB-1500,  
optional for WB-200 to WB-350.



Extended Control Room:  
Standard on WB-1800 to WB-5500,  
optional for WB-200 to WB-1500.



Enlarged Control Room:  
Available as an option on  
WB-200 to WB-5500.



# Dimensions

## Standard Dimensions

Dimension in inches (mm)	W	L	H	V	A	B	C	D	E	F	Concrete Slab
WB-200, WB-250, WB-350	39	99	37	39	69	39	31	30	80	43	5' x 12'
WB-450, WB-550	72	135	90	50	82	66	25	36	112	81	8' x 15'
WB-650, WB-750, WB-850	72	135	90	60	78	66	38	36	112	68	8' x 15'
WB-1000, WB-1200, WB-1500	72	156	90	55	107	66	46	36	112	60	8' x 17'
WB-1800, WB-2000, WB-2200, WB-2500	84	216	90	62	127	83	55	72	112	51	9' x 22'
WB-3000, WB-3500, WB-4500, WB-5500	90	252	90	83	171	89	64	72	112	42	9' x 25'
WB-7000	call AES	call AES	call AES	call AES	call AES	call AES	call AES	call AES	call AES	call AES	call AES

## Option: Full Size Control Room (Standard on WB-450 to WB-1500)

Dimension in inches (mm)	W	L	H	V	A	B	C	D	E	F	Concrete Slab
WB-200, WB-250, WB-350	72	108	90	39	69	66	31	36	112	75	8' x 13'

## Option: Low-Profile Control Cabinet (Standard on WB-200 to WB-350)

Dimension in inches (mm)	W	L	H	V	A	B	C	D	E	F	Concrete Slab
WB-450, WB-550	50	114	54	50	82	50	26	30	85	53	6' x 13'
WB-650, WB-750, WB-850	62	110	66	60	78	62	39	31	92	47	7' x 13'

## Option: Extended Control Room (Maintenance House) (Standard on WB-1800 to WB-5500)

Dimension in inches (mm)	W	L	H	V	A	B	C	D	E	F	Concrete Slab
WB-200, 250, 350	72	144	90	39	69	66	31	72	112	75	8' x 16'
WB-450, WB-550	72	156	90	50	82	66	25	72	112	81	8' x 17'
WB-650, WB-750, WB-850	72	168	90	60	78	66	38	72	112	68	8' x 18'
WB-1000, WB-1200, WB-1500	72	192	90	55	107	66	46	72	112	60	8' x 20'

## Option: Enlarged Control Room (Maintenance House) (Separate structure on common skid)

Dimension in inches (mm)	W	L	H	V	A	B	C	D	E	F	Concrete Slab
WB-200, WB-250, WB-350	84	180	90	39	69	84	31	92	112	75	9' x 19'
WB-450, WB-550	84	192	90	50	82	84	25	92	112	81	9' x 20'
WB-650, WB-750, WB-850	84	192	90	60	78	84	38	92	112	68	9' x 20'
WB-1000, WB-1200, WB-1500	84	216	90	55	107	84	46	92	112	60	9' x 22'
WB-1800, WB-2000, WB-2200, WB-2500	84	240	90	62	126	84	55	92	112	51	9' x 24'
WB-3000, WB-3500, WB-4500, WB-5500	90	288	90	83	171	90	64	92	112	42	9' x 28'
WB-7000	call AES	call AES	call AES	call AES	call AES	call AES	call AES	call AES	call AES	call AES	call AES

Note: All dimensions are approximate and are given for orientation purposes only. For actual dimensions contact Key On Enterprise Ltd.

China Distributor : **Key On Enterprise Ltd.**

Tel: (852)2541-8663 Fax: (852)2541-0989 Email: keyonltd@keyongas.com.hk Website: <http://www.keyongas.com>